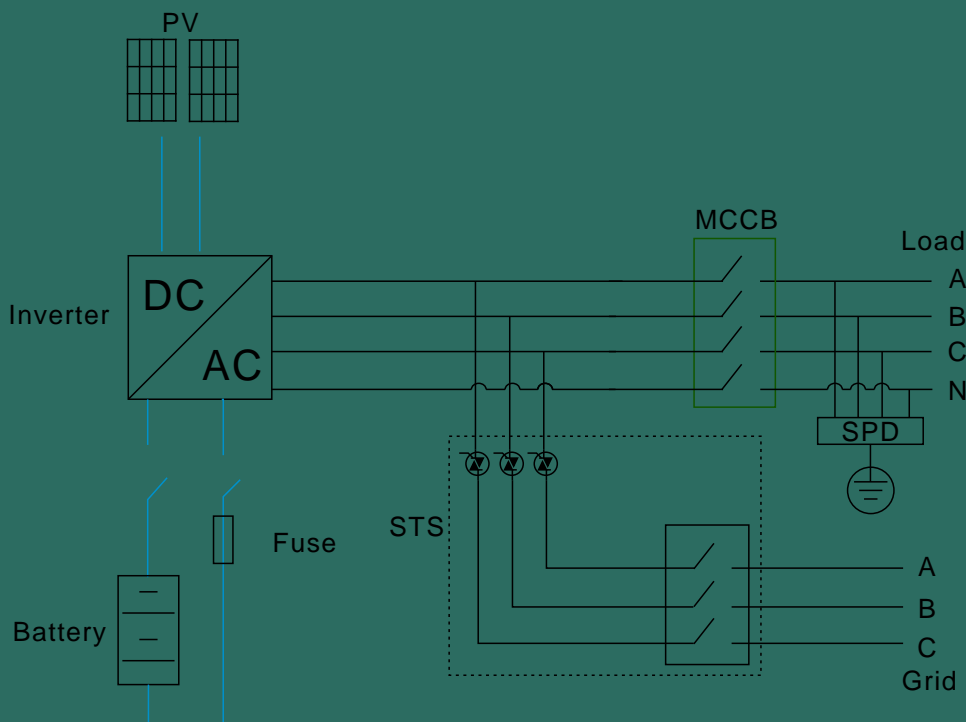


240kW/516kWh PV + Hybrid Inverter BESS Solutions



The PV+Hybrid inverter BESS integrated liquid cooling battery pack, battery management system BMS, energy management system EMS, hybrid inverter and fire protection system. The system can be combined with photovoltaic power generation to form a grid-tied solar with energy storage system. Multiple systems can be connected in parallel for flexible expansion. The system is suitable for a variety of applications such as , on-grid/o - grid solar energy and storage system, backup power supply, and solar-diesel-microgrid system.

Hybrid Inverter

PV Input

Max. DC Voltage [V]	
Starting Voltage [V]	
MPPT Voltage Range [V]	
Fullload MPPT Voltage Range [V]	
MPPT Max.Input Current [A]	
MPPT Input Strings	
No. of MPPT	

Battery Input

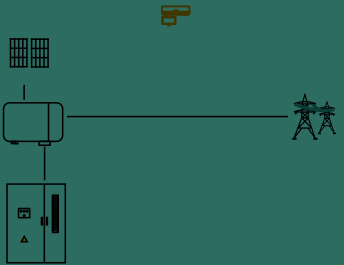
Max. DC Bus Voltage [V]	
Max. DC Current [A]	
DC Voltage Working Range [V]	
DC Voltage Ripple Cok	

THDi	3%
General	
Ambient Temperature [°C]	-40~60
Relative Humidity	0~100%
Noise [dB]	59
Dimensions W*H*D [mm]	800*680*330
Weight [kg]	95
Ingress Protection	IP65
Cooling Method	Smart Air Cooling
Insulation Resistance	1MΩ
Communication Interface	Ethernet, RS485
Battery	
Nominal Capacity [Ah]	280
No. of Pack	6
Configuration	1P288S
Rated Energy [kWh]	258
Rated Voltage [V]	921.6
Operating Voltage Range [V]	806~1036
Rated Charging/Discharging Power [kW]	129
Weight [kg]	2800
Dimensions D*W*H [mm]	1300*1300*2300
Operating Temperature [°C]	-20~55
Cooling Method	Liquid Cooling
Ingress Protection	IP66

List of Equipment

NO.	Name	Recommended model/ Specifications	QT Y	Remark
1	Hybrid Inverter	120kW, 4MPPT, 110% overloading	2	
2	Battery Cabinet	258kWh, 1P288S, 921.6V, Liquid cooling	2	
3	Switch Cabinet	-	1	
4	EMS	-	1	
5	PV Panels	Configured based on the capacity requirements	-	Customer's scope of supply

Grid-connected scenario



Microgrid scenario

